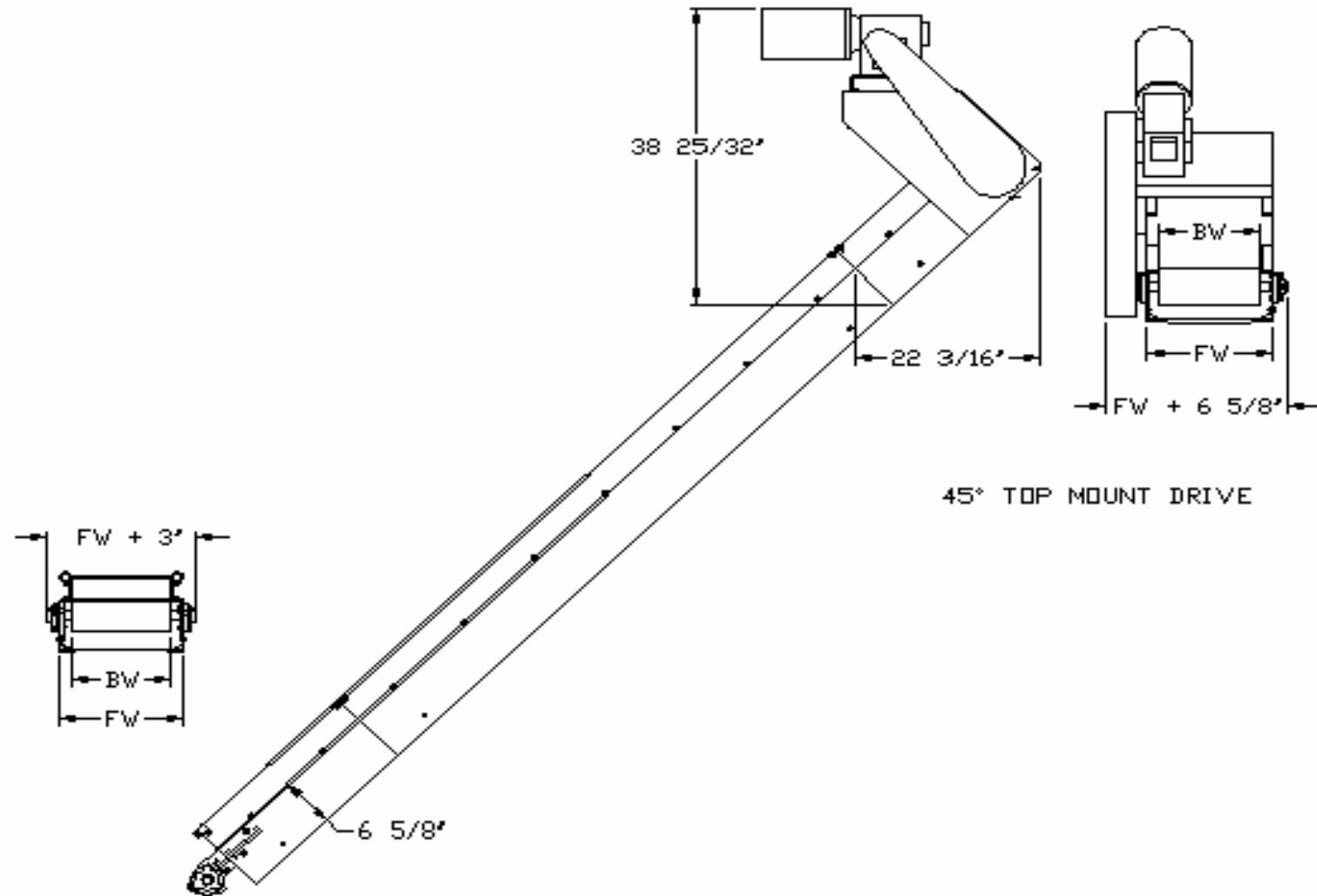


# MODEL 500

## 45<sup>^</sup> TOP MOUNT DRIVE

### STANDARD DUTY CLEATED INLCINE CONVEYOR

This light weight narrow frame parts conveyor provides the flexibility to be used in both horizontal and inclined applications. This unit is an economical choice for narrow, shorter run applications.



## 45<sup>^</sup> TOP MOUNT DRIVE

1700 Division Street, New London, WI 54961

Phone: (800) 437-1994

Fax: (920) 982-6800

[www.nleco.com](http://www.nleco.com)